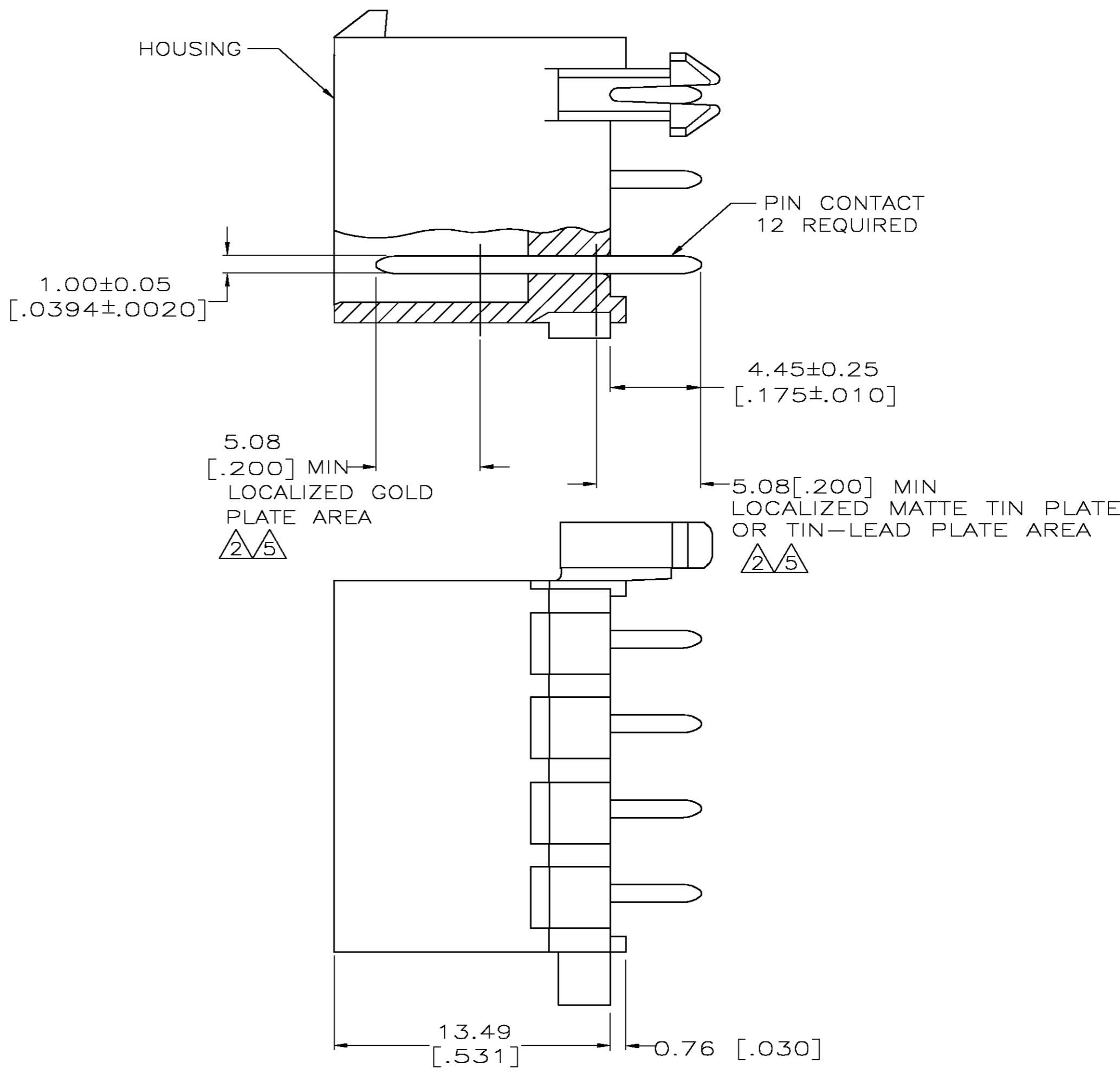
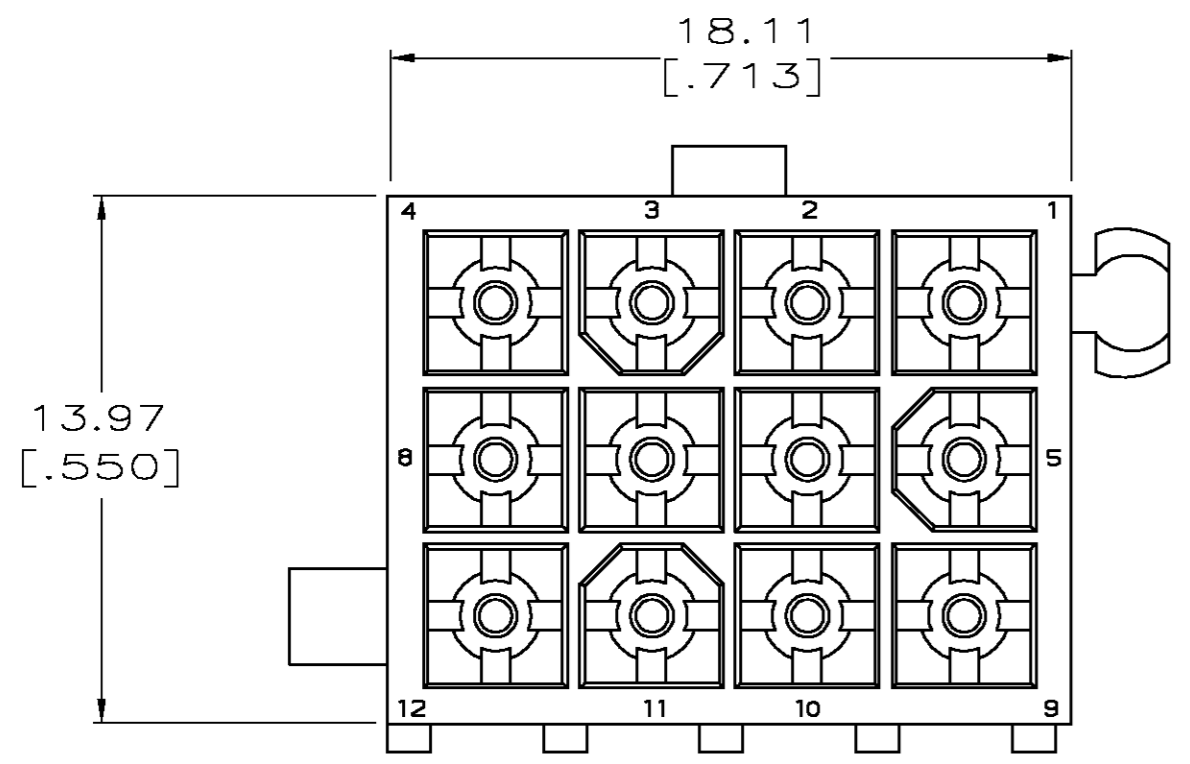
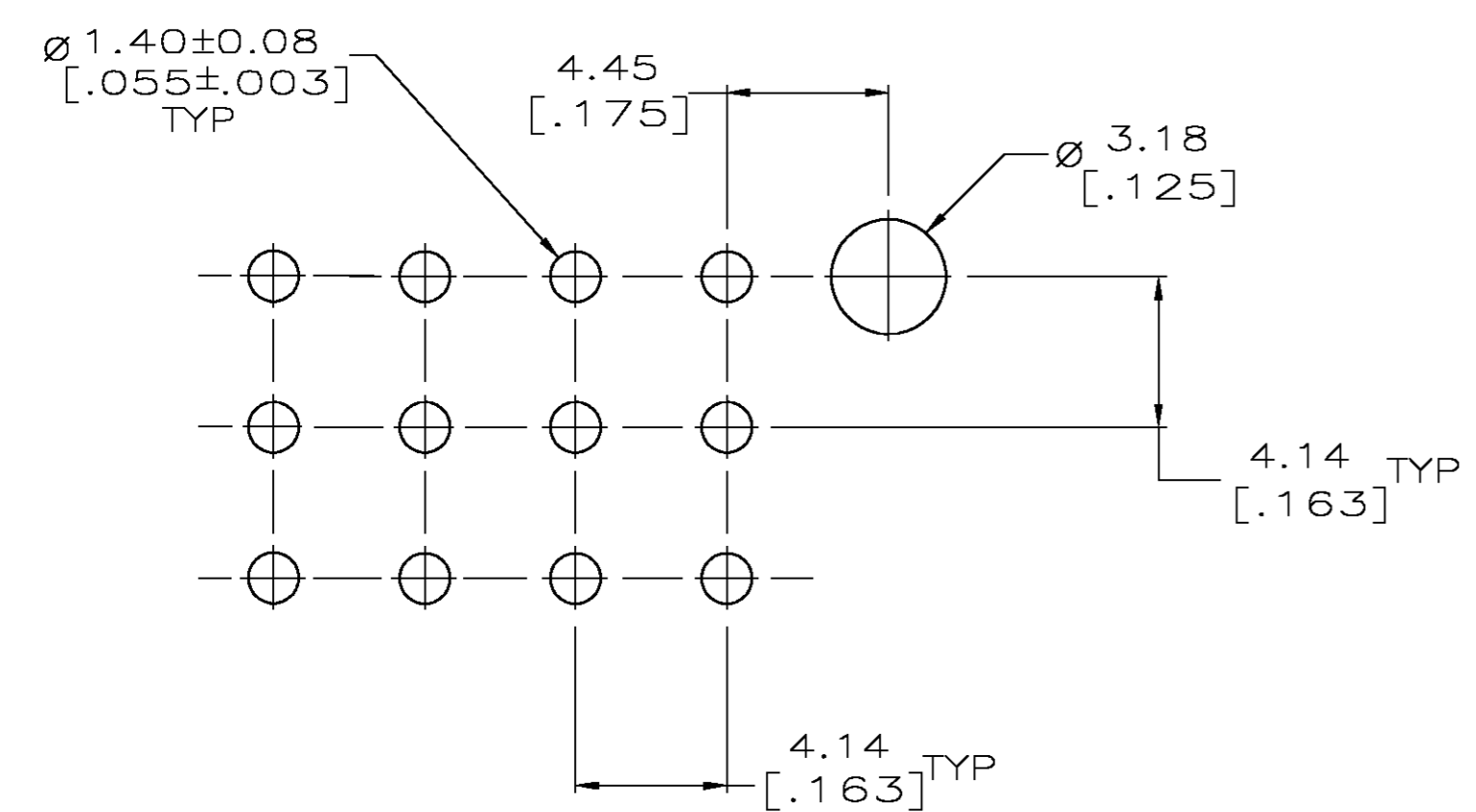


THIS DRAWING IS UNPUBLISHED. RELEASED FOR PUBLICATION
 © COPYRIGHT BY TYCO ELECTRONICS CORPORATION. ALL RIGHTS RESERVED.

LOC		DIST		REVISIONS			
P	LTR	DESCRIPTION	DATE	DWN	APVD		
CM	0						
	C	REVISED PER 0G3B-0211-05	6/7/05	SS	RJ		



- PINS TO COMPLY WITH AMP SOLDERABILITY SPEC. 109-11-3.
- 0.00076 [.000030] MIN GOLD PLATE IN THE LOCALIZED PLATE AREA, 0.00381 [.000150] MATTE TIN LEAD IN THE LOCALIZED PLATE AREA, BOTH OVER 0.00127 [.000050] MIN NICKEL.
- DIMENSIONS IN BRACKETS ARE IN INCHES.
- 0.00381 [.000150] MATTE TIN LEAD OVER 0.00127 [.000050] MIN NICKEL ENTIRE LENGTH OF PIN.
- 0.00076 [.000030] MIN GOLD PLATE IN THE LOCALIZED GOLD PLATE AREA, 0.00381 [.000150] MATTE TIN IN THE LOCALIZED TIN PLATE AREA, BOTH OVER 0.00127 [.000050] MIN NICKEL.
- 0.00381 [.000150] MATTE TIN OVER 0.00127 [.000050] MIN NICKEL ENTIRE LENGTH OF PIN.



RECOMMENDED LAYOUT FOR 1.57 [.062] THICK BOARD
 TOLERANCES NON-ACCUMULATIVE

BRASS, GOLD	5	NYLON, 94V-0, WHITE	1-794040-1
BRASS, TIN	6	NYLON, 94V-0, WHITE	1-794040-0
BRASS, GOLD	2	NYLON, 94V-0, WHITE	794040-2
BRASS, TIN	4	NYLON, 94V-0, WHITE	794040-1
PIN CONTACT MATERIAL AND FINISH		HOUSING MATERIAL AND COLOR	PART NO.

THIS DRAWING IS A CONTROLLED DOCUMENT.		DWN K. SALMON 2-8-94	Tyco Electronics Corporation Harrisburg, Pa 17105-3608
		CHK R. SWING 2-8-94	
DIMENSIONS: mm [INCHES]		APVD -	
TOLERANCES UNLESS OTHERWISE SPECIFIED:		NAME	
0 PLC ± -		PRODUCT SPEC	
1 PLC ± -		APPLICATION SPEC	
2 PLC ± 0.13		-	
3 PLC ± -		WEIGHT	
4 PLC ± -		-	
ANGLES ± -		SIZE	
FINISH		CAGE CODE	
SEE TABLE		DRAWING NO	
		RESTRICTED TO	
		A2 00779 C=794040	
CUSTOMER DRAWING		SCALE 5:1 SHEET 1 OF 1 REV C	

794040